

Visual Fabric
Extrusions

About VFX

The term VFX stands for Visual Fabric Extrusion. Available in a wide variety of sizes and styles, this graphic hardware is uniquely versatile, allowing it to adapt to virtually any project need. A visual fabric extrusion is a lightweight aluminum frame that utilizes a tension fabric graphic paired with silicone beading around the perimeter to create an elegant and eye-catching design piece.

Primarily used in the event industry, this highly adaptable solution is a great alternative to traditional graphics within retail, interior design and many other industries. The VFX system is almost limitless and will truly allow you to make a statement with any project.



Table Of Contents

04		VFX17
05		VFX46
06		VFX55
07		VFX96
08		VFX150HD
09		VFX160
10		VFXCUBE
11		VFXCUBEXXL

*More VFX Frames Styles Available



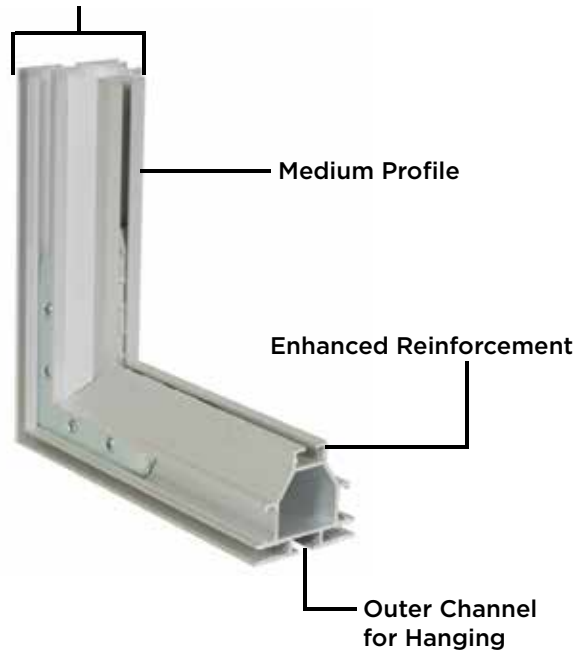
VFX17

The VFX17 frame can be utilized in a multitude of applications, from individual artwork pieces to full interchangeable wall coverings. A great alternative to traditional wallpaper or vinyl wall graphics, this light weight extrusion gives you the ability to easily swap graphics for upcoming marketing campaigns or to give your workspace a fresh look.

Uses include but are not limited to: Retail, Exhibit/Events, and Corporate Environments



Single/ Double Sided
Frame Options



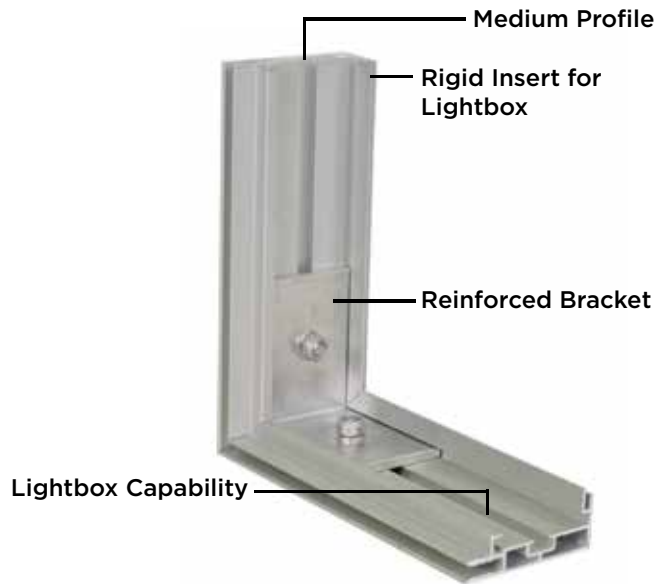
VFX46

The VFX46 frame can be used as a freestanding element or attached to an existing wall with multiple mounting options to match your specific needs. The frame has a multitude of executional uses that range from noise canceling artwork to the replacement of traditional office dividers.

***Single and double-sided options**

Uses include but are not limited to: Retail, Exhibit/Events, and Corporate Environments





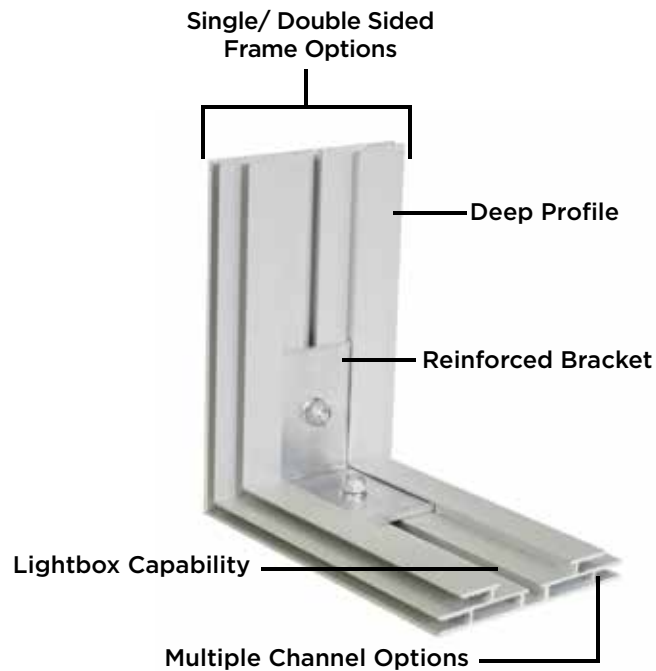
VFX55

Mainly utilized as a lightbox extrusion, the VFX55 adds a high-end element to your graphics to instantly grab the attention of your target audience. This allows for better brand exposure and ultimately leads to an increase in sales.

***Single and double-sided options**

Uses include but are not limited to: Retail, Exhibit/Events, and Corporate Environments





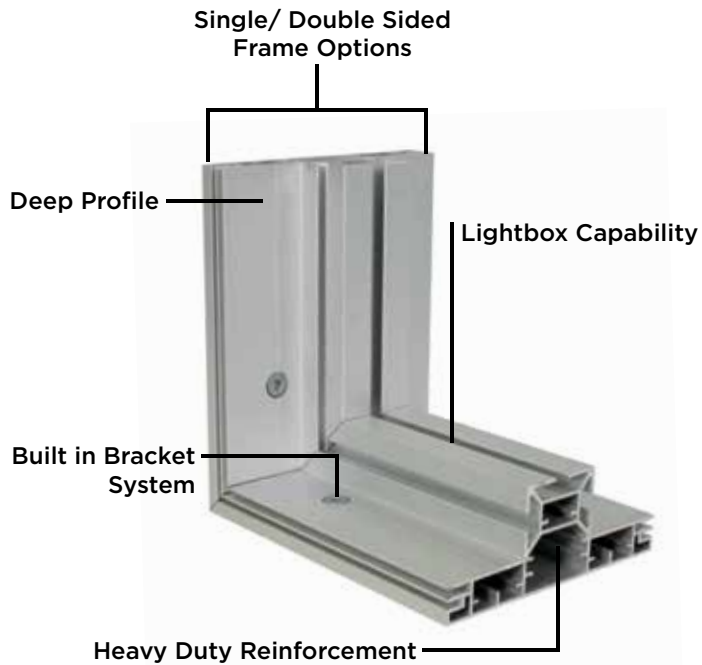
VFX96

VFX96 is the perfect option for medium to large scale projects where you truly need to make a statement. This extrusion is one that has lightbox capabilities, which allows you to capture the ever-diminishing attention of your consumer. Proven to increase brand exposure, lightbox technology is a great way to differentiate yourself from the competition.

***Single and double-sided options**

Uses include but are not limited to: Retail, Exhibit/Events, and Corporate Environments





VFX150HD

The VFX150HD is mainly designed for large scale projects where extra support is needed. This can be anything from custom, large scale exhibits to the replacement of traditional drywall in a corporate setting. VFX150HD also has the capabilities to incorporate lightbox technology into the frame creating a unique atmosphere as the applications for this extrusion tend to truly engage the end consumer in a distinct way.

***Single and double-sided options**

Uses include but are not limited to: Retail, Exhibit/Events, and Corporate Environments





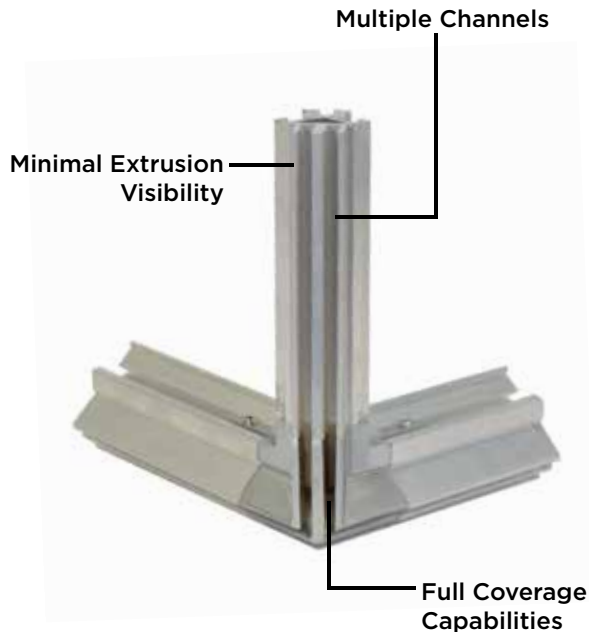
VFX160

Perfect for large scale projects, VFX160 creates a rigid platform while ensuring that setup and transportation remain as simplistic as possible. Mainly used in large exhibits, this versatile frame will allow you to create an all-encompassing atmosphere and truly make a statement. VFX160 is also designed to incorporate lightbox technology expanding the application for the end user.

***Single and double-sided options**

Uses include but are not limited to: Retail, Exhibit/Events, and Corporate Environments



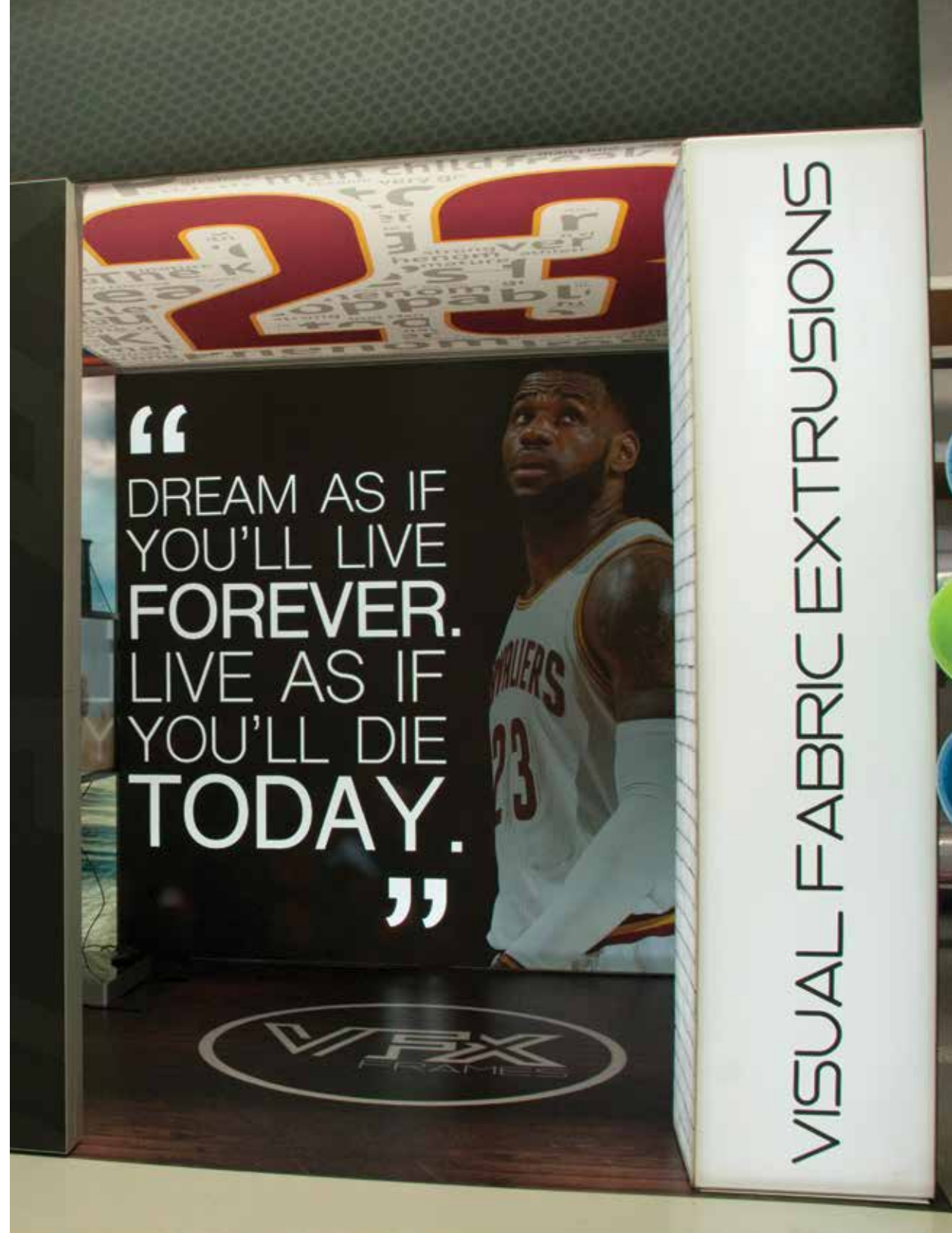


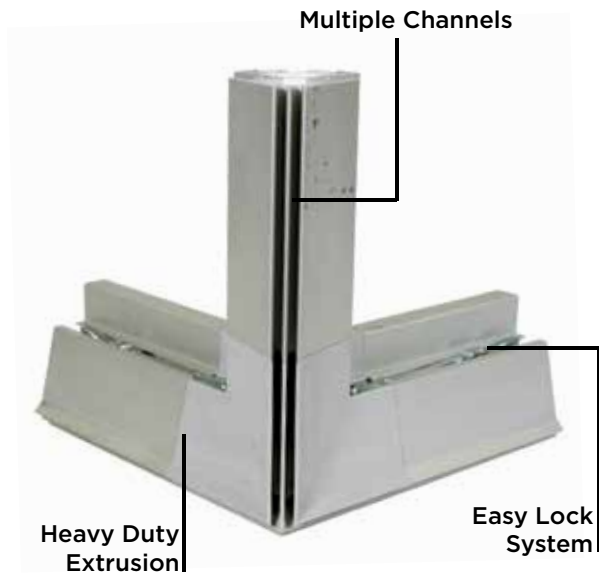
VFXCUBE

This versatile frame is perfect for unique application such as four-sided pillars, custom hanging structures, or distinctive accent pieces. With lightbox capabilities this frame has been proven to capture the attention of the distracted consumer ultimately separating you from your competition and leading to increased sales.

***Single and double-sided options**

Uses include but are not limited to: Retail, Exhibit/Events, and Corporate Environments





VFXCUBEXXL

Designed with multiple channels, this system can be utilized for a wide array of applications such as hanging structures, exhibit booth ceilings, and large support columns. The VFXCUBEXXL extrusion is held together by a simple push-and-lock system which requires no tools. Coupled with our VFX lightbox technology, our extrusion will truly allow you to make a statement and stand out from your competition.

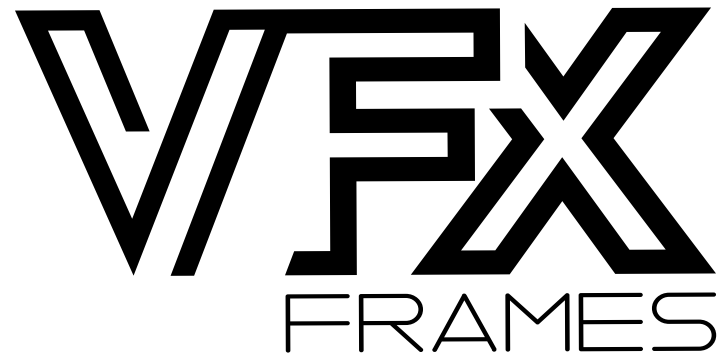
***Single and double-sided options**

Uses include but are not limited to: Retail, Exhibit/Events, and Corporate Environments



RYERSON UNIVERSITY





CONTACT US

416.493.8888
info@iacgobig.com
550 McNicoll Ave
Toronto, ON M2H 2E1